



M-RANGE

INFRARED PORT

SWITCHBOARDS



MCC's



TRANSFORMERS



- **SAFE- FINGERPROOF**
<6mm (1/4") Hole pattern complies with IEC and ANSI 12mm (1/2") maximum enclosure openings restriction
- **HIGH VALUE- NEMA TYPE 1 & IP2X RATED**
Recognized by UL for installation into NEMA/UL50 Type 1 & IP2X INDOOR, LOW VOLTAGE equipment.
- **LOW COST- NO CRYSTAL OPTIC REQUIRED**
M-Range is intended for indoor, low voltage equipment. As such, high strength crystal optic materials are not required, keeping costs down.
- **EFFICIENT- NO SPECIAL LENSES REQUIRED**
M-Range Infrared Ports operate with all Infrared Cameras. No Proprietary Lens options are required

The only IR Sightglass endorsed by
FLIR
SYSTEMS INC.

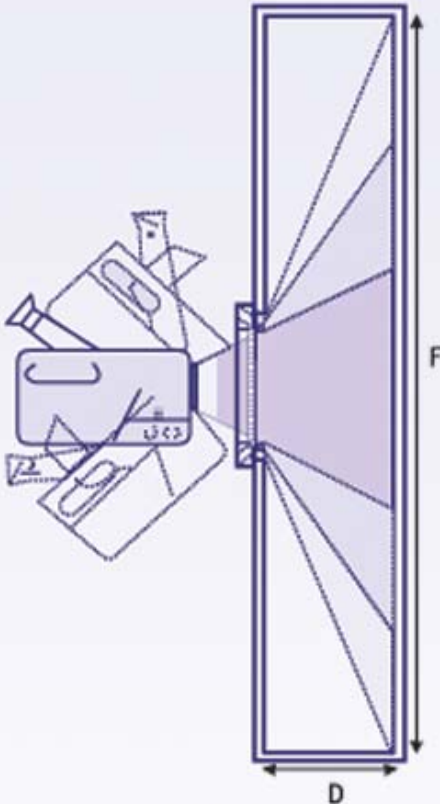
THE INFRARED SIGHTGLASS PEOPLE



FIELD OF VIEW

Equal to six times the cabinet depth (F=Dx6)

Section through control cabinet Hawk I.R. shown open.



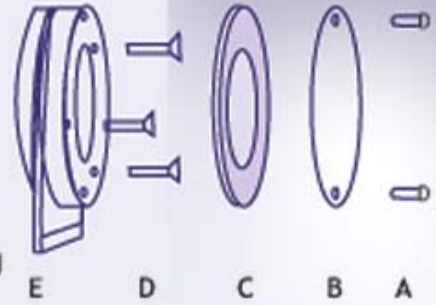
FRAME

Aluminum to BS6082-T6
Anodised to DEF STAN 03-25/3 aa 8-13

GASKETS (Other materials available)
LSF -94°F to +482°F

EXPLODED VIEWS

- A Security Screws
- B Aluminum Cover
- C Front Gasket
- D Fixing Screws
- E Complete Sightglass Housing



PRODUCT SERIAL CODE

Format: HWK=BBB=C=D=E
E.g. HWK-075-M-L (A 3" M-Type Unit with LSF Gaskets)

HWK- Prefix denoting Hawk I.R. product (generic)

BBB (SIZE)

050=<2" Mesh Insert size
075=<3" Mesh Insert Size
100=<4" Mesh Insert Size

C (VIEWING MATERIAL)

M=M-Type I.R. Material

D (GASKET MATERIAL)

L=LSF (Low Smoke & Fume)

E (KWIK-TWIST OPTION)

KT=Kwik-Twist (Magnetic cover)

LENS

Solubility
Thickness
Individual Opening Diameter
Air gap

-N/A Anodised Mesh optic
-0.081" (2mm)
-5mm(<1/4")
-Approximately 79%

INGRESS PROTECTION

IP65 (CLOSED) IP2X (OPEN) to BSEN60529
UL Recognized for NEMA 1 equipment

FIXING SCREWS

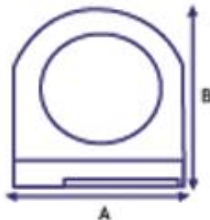
Stainless Steel

PROTECTIVE COVER

Aluminum

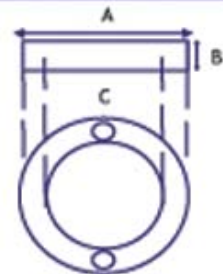
FOOTPRINT DIMENSIONS

Type	A	B
050	2.6"	3.5"
075	4"	4.9"
100	4.9"	6"



ACTUAL DIMENSIONS

Type	A	B	C
050	2.5"	0.7"	1.7"
075	4"	0.7"	2.7"
100	4.9"	0.75"	3.5"



Alpine Components

Telephone: 01424 437000 E-mail: info@alpine-components.co.uk

Web: www.alpine-components.co.uk Fax: 01424 722502